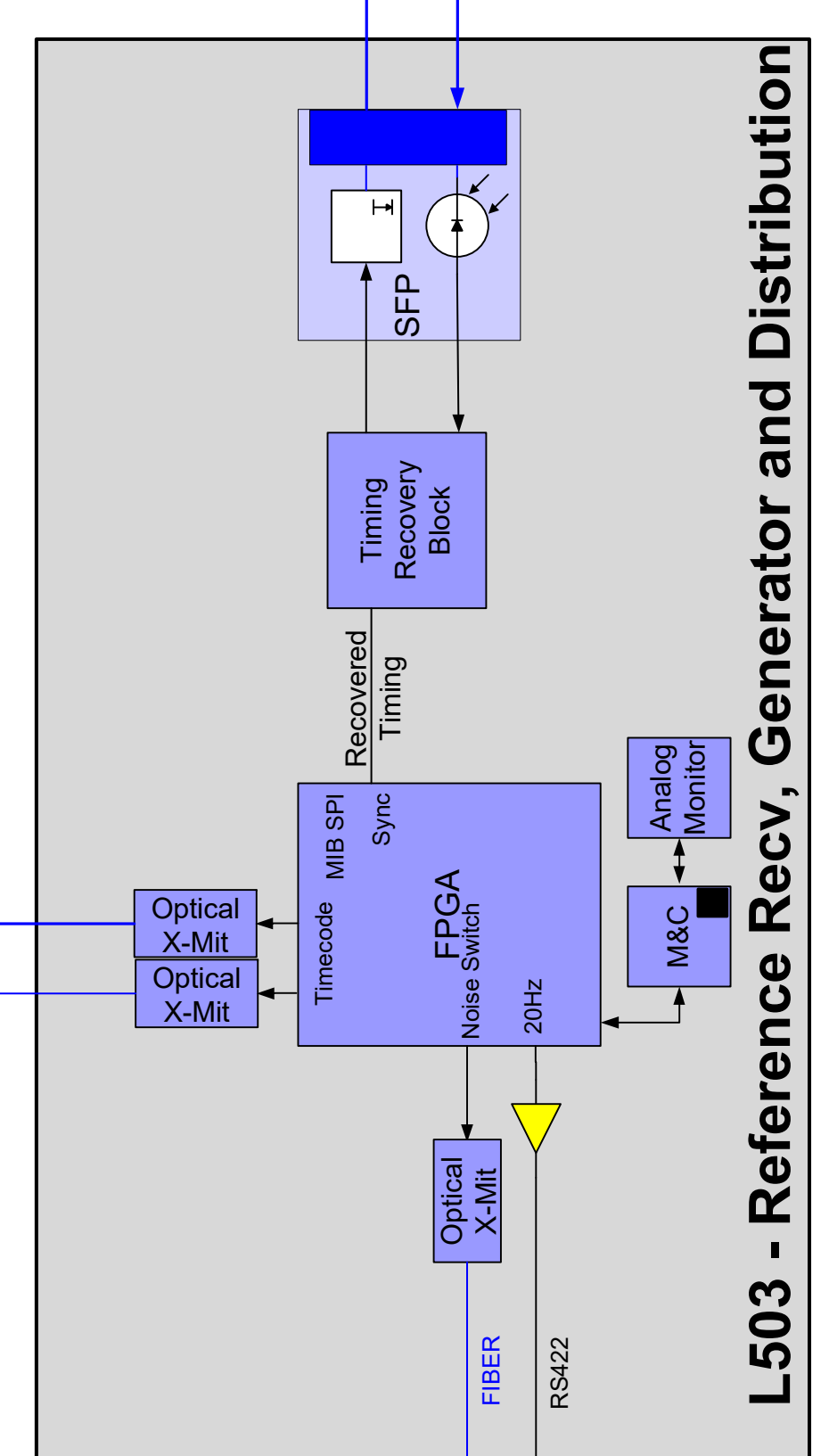
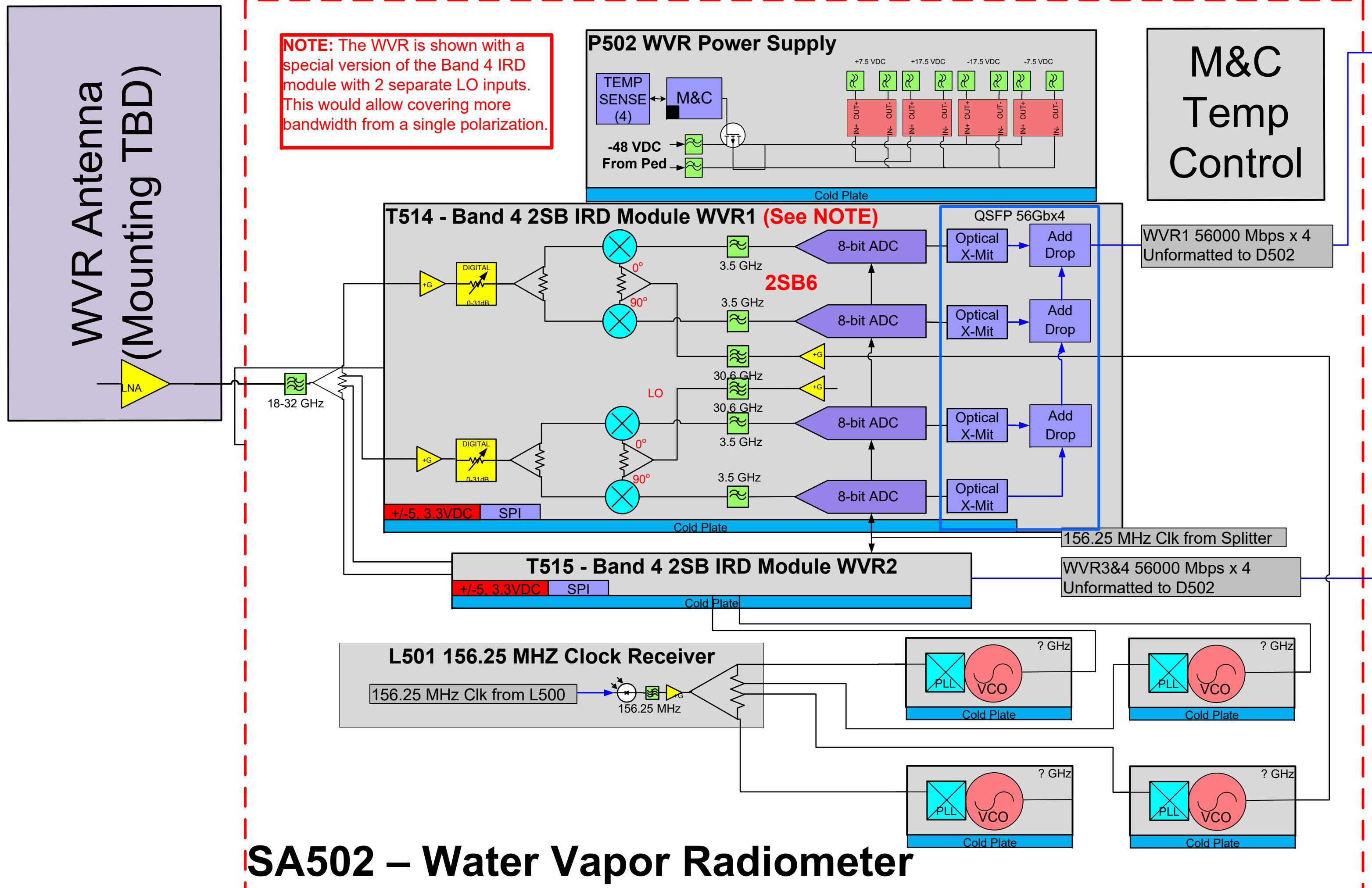


Optical Repeater and/or Data Regeneration Equipment for Long Haul Antennas

Multi CORE Trunk Fiber to Array Center or Commercial Network

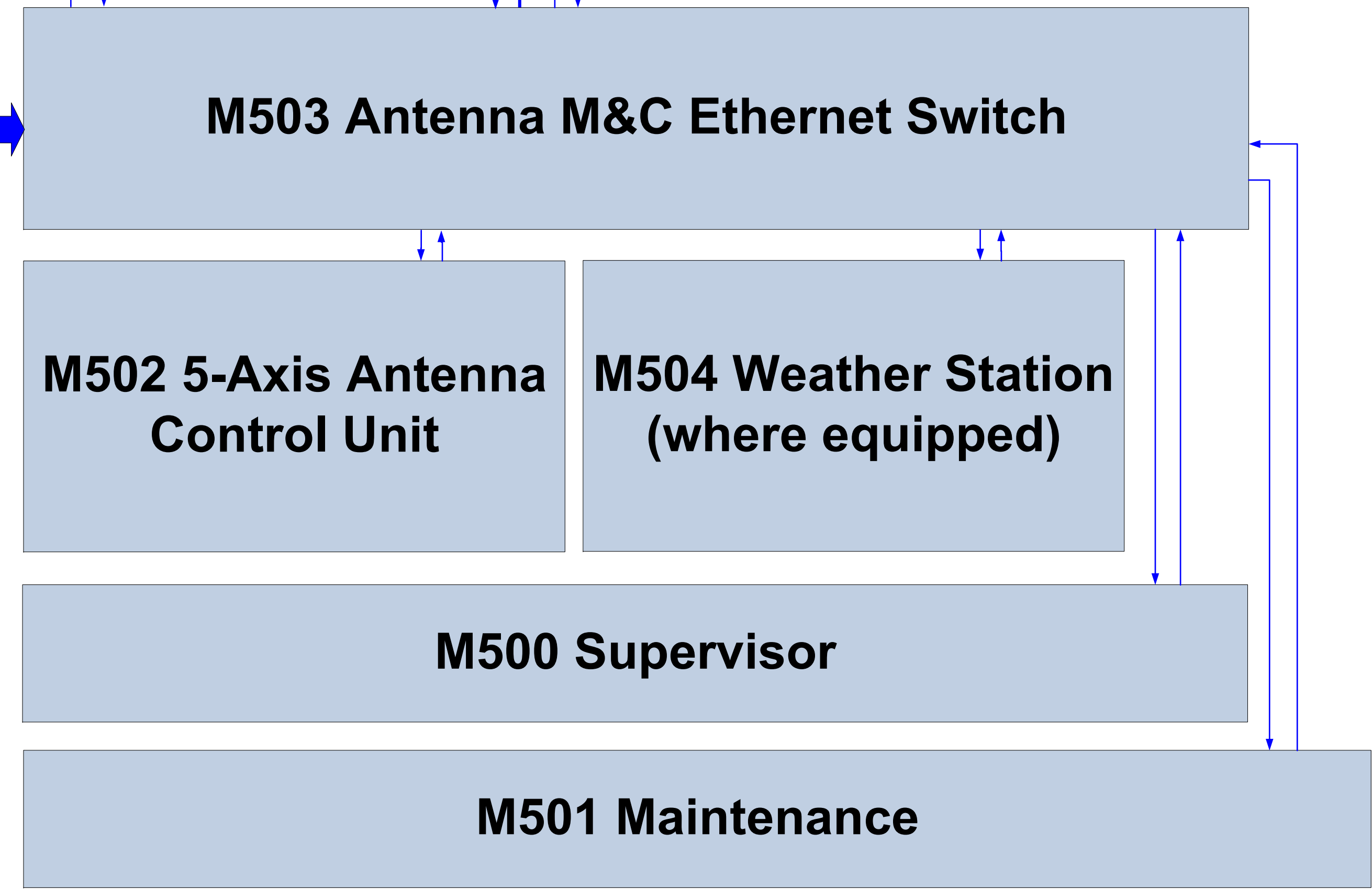
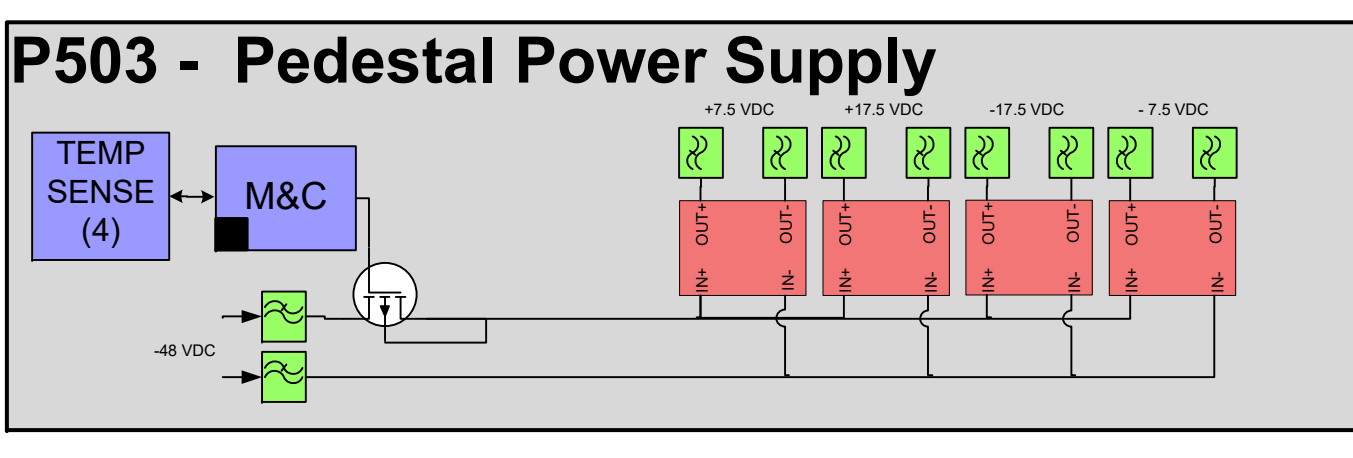
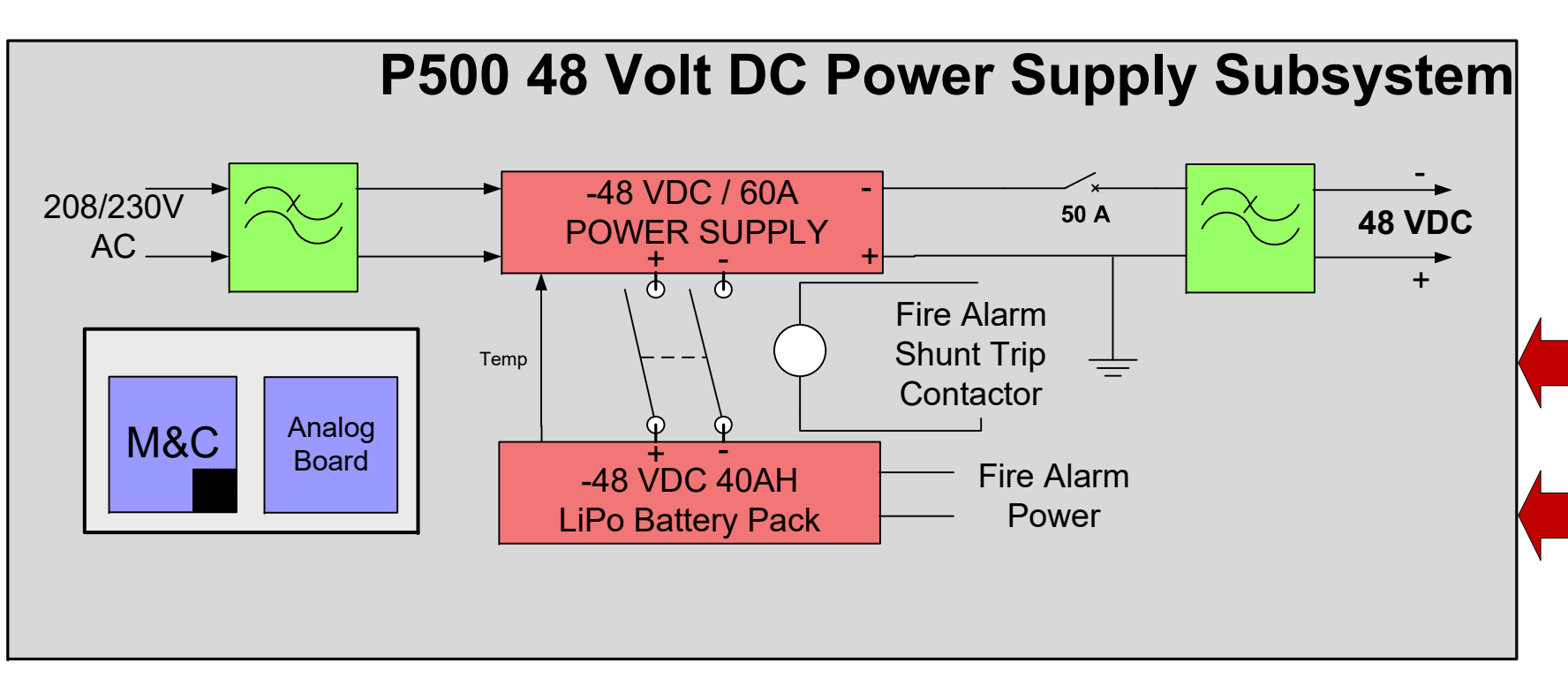


L503 - Reference Recv, Generator and Distribution



SA502 - Water Vapor Radiometer

D502 WVR Digital Processing (much simplified version of D501)



**CHANGE LOG:**  
 5/18/16 JJ - Updated band and dewar names for consistency with Grammer band designations and cost model designations  
 5/17/16 JJ - Changed to reflect Band Config 2 (8 bands)  
 6/23/17 JJ - Major updates to reflect latest design philosophy  
 11/18/17 JJ - Major updates to reflect latest design philosophy for work packages  
 4/9/2018 JJ - Split into two drawings (Front End & Pedestal) to increase detail, updated for latest design & packaging philosophy  
 10/11/2018 JJ - considerable changes to reflect discussions from July workshop  
 10/10/2018 JJ - Removed label from WVR per RID IPDSR 40, Removed isolators per RID IPDSR-19  
 11/16/2018 JJ - Major update to have design reflect current design  
 11/28/2018 JJ - Fixed P500 label fixed WVR design